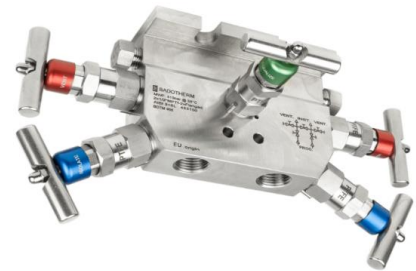


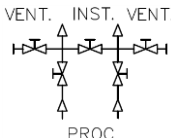
Badotherm manifold model BDTM956 is a five valve manifold that can be used for isolation, bleeding, calibration, and testing of differential pressure instruments. The BDTM956 manifold has the process connection at the bottom and the flanged instrument connection on the top. The isolating bonnets are inclined with a 25° angle. All Badotherm manifolds are standard stainless steel and optional available in exotic materials. This valve has a non-rotatable conical tip to ensure perfect alignment for a bubble tight shut-off. Badotherm valves are manufactured within the European Union.



MATERIAL SPECIFICATIONS

| BODY | STEM | TIP | BONNET | SPINDLE GASKET |
|-------------|-------------|-------------|-------------|----------------|
| AISI 316(L) | AISI 316(L) | AISI 316(L) | AISI 316(L) | Virgin PTFE |

TECHNICAL SPECIFICATIONS

| | BDTM956 | flow diagram | product features |
|-----------------------------------|-----------------------------|---|----------------------------|
| Process connection (F) | 1/2" NPT-f |  | non-rotating spindle tip |
| Instrument connection (F1) | flanged - IEC 61518 | | bonnet locking pins |
| Vent connection | 1/4" NPT-f | | safety back seating T-bar |
| Maximum pressure | 413 bar (6.000 psi) at 38°C | | 2x isolation valves (blue) |
| Maximum temperature | 240 °C | | 2x vent valves (red) |
| | | | equalizing valve (green) |

EXOTIC STEM AND TIP CONFIGURATIONS WITH BODY MATERIALS

| stem | tip | body material | | | | | | | | |
|------------------|------------------|---------------|----------|-----------|----------------|------------|------------------|------------------|-------------|----------------|
| | | AISI 316(L) | AISI 321 | Monel 400 | Hastelloy C276 | Duplex F51 | Super Duplex F53 | Super Duplex F55 | Inconel 625 | Titanium Gr. 2 |
| AISI 630 | AISI 420 | ○ | | | | | | | | |
| AISI 316(L) | AISI 316(L) | ● | | | | | | | | |
| AISI 321 | AISI 321 | | ● | | | | | | | |
| Monel 400 | Monel 500 | ○ | | ● | | | | | | |
| Hastelloy C276 | Hastelloy C276 | | | | ● | | | | | |
| Duplex F51 | Duplex F51 | | | | | ● | | | | |
| Super Duplex F53 | Super Duplex F53 | | | | | | ● | | | |
| Super Duplex F55 | Super Duplex F55 | | | | | | | ● | | |
| Inconel 625 | Inconel 625 | | | | | | | | ● | |
| Titanium Gr. 2 | Titanium Gr. 2 | | | | | | | | | ● |
| Stellite 6B | Stellite 6B | ○ | ○ | ○ | ○ | ○ | ○ | ○ | ○ | ○ |

● = standard / ○ = optional

SPINDLE GASKET

| material | operating temperature |
|--------------------------|-----------------------|
| Virgin PTFE | -200 / +260°C |
| Flexible Graphite | -250 / +450°C |

OPTIONS

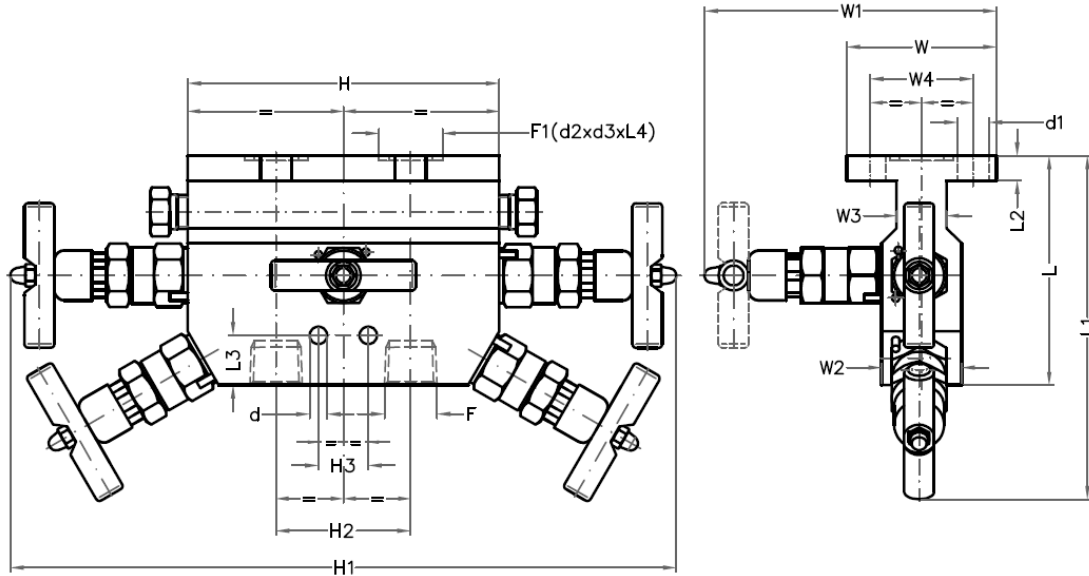
- cleaning for oxygen service (only with Virgin PTFE spindle gasket)
- high pressure up to 689 bar (10.000 psi) at 38°C
- anti-tamper spindle to prevent unauthorized use
- mounting bracket for 2" pipe mounting
- assembly kit including bolts, gaskets and anti-seizure compound

DESIGN INFORMATION AND DRAWINGS

DESIGN STANDARD
 EN 12266-1 / SP 99 / SP 61
 IEC 61518

PRESSURE TESTING
 1.5x MWP @ 20°C for shell test
 1.1x MWP @ 20°C for seat test

WEIGHT
 4.0 kg



| L | L1 | L2 | L3 | H | H1 min | H1 max | H2 | H3 | W | W1 min | W1 max | W2 | W3 | W4 | d | d1 | d2xd3xL4 |
|----|-----|----|----|-----|--------|--------|----|----|----|--------|--------|----|----|------|----|-------|---------------|
| 92 | 138 | 10 | 20 | 125 | 259 | 267 | 54 | 20 | 60 | 113 | 117 | 32 | 20 | 41,3 | Ø7 | Ø12,5 | Ø25,5xØ19,9x2 |

All dimensions in mm

PRESSURE TEMPERATURE TABLE

| temperature °C | AISI 316(L) | Monel 400 | Hastelloy C276 | Duplex F51 | Super Duplex F53 / F55 | Inconel 625 |
|---------------------------|-------------|-----------|----------------|------------|------------------------|-------------|
| -29 / -17 °C ¹ | 413 | 335 | 431 | 431 | 431 | 431 |
| -17 / +38 °C | 413 | 335 | 431 | 431 | 431 | 431 |
| 50 °C | 401 | 299 | 431 | 431 | 431 | 431 |
| 100 °C | 351 | 281 | 429 | 422 | 422 | 429 |
| 150 °C | 321 | 272 | 418 | 382 | 383 | 418 |
| 200 °C | 297 | 272 | 403 | 355 | 355 | 403 |
| 250 °C ¹ | 278 | 272 | 386 | 337 | 337 | 386 |
| 300 °C ¹ | 263 | 272 | 357 | 323 | 324 | 357 |
| 350 °C ¹ | 253 | 272 | 335 | - | - | 335 |
| 400 °C ¹ | 245 | 267 | 305 | - | - | 305 |
| 450 °C ¹ | 240 | 224 | 282 | - | - | 282 |

All pressures in Bar

¹ Only applicable in combination with Flexible Graphite gasket



Holland – UK – Romania – India – Thailand – Dubai - USA

To our knowledge, the information contained herein is accurate as of the date of this document. However neither Badotherm, nor its affiliates makes any warranty, express or limited, or accepts any liability in connection with this information or its use. This information is for technical skilled persons at their own discretion and risk and does not relate to the use of this product in combination with any other product. The user alone finally determines suitability of any information or material in contemplated use, the manner of use and whether any patents are infringed. This information gives typical properties only.

Badotherm reserves the right to make changes to the specifications and materials without prior notice. The latest version of the datasheet can be found on www.badotherm.com.

© 2001 Badotherm, all rights reserved. Trademarks and/or other products referenced herein are either trademarks or registered trademarks of Badotherm. Registered trade names are Hastelloy, Inconel, Monel, and Stellite.

modified 25-01-2017

page 3 of 3