

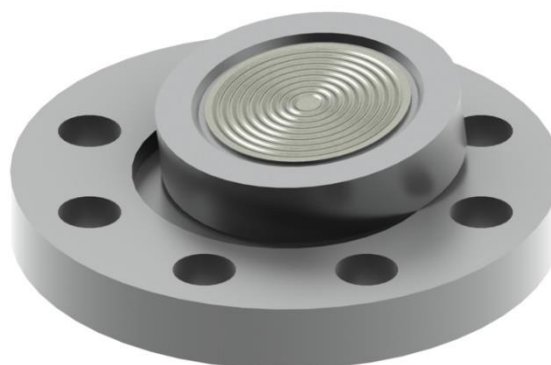
FSO-BF type seal - flush diaphragm

Design description

The FSO-BF construction has a seal body that is made of bar stock or forged material. The weld between the seal body and the diaphragm is a wetted part and therefore diaphragm materials are mostly chosen the same as the body material. The FSO-BF is recommended when special body or flange material grades are required. FSO-BF is typically used in combination with (differential) pressure transmitters for applications such as level, flow and (absolute) pressure measurement.

Body vs diaphragm combinations

The diaphragm is TIG-welded to the body and is designed to have the best performance for the specific size. This means that the flexibility and shape is carefully tested and measured. The standard thickness of diaphragm foil is 0.075mm



Body Material	Diaphragm material		
	General name	UNS	Wst.
AISI 316(L)	AISI 316L	S31603	1.4404
	AISI 304L	S30400	1.4306
	AISI 321	S32100	1.4541
	AISI 316 UG	S31603	1.4435
	Alloy C276	N27600	2.4810
AISI 304L	AISI 304L	S30400	1.4306
AISI 310 MoLn	25-22-2 LMN	S31050	1.4466
AISI 316 UG	AISI 316 UG	S31600	1.4435
AISI 321	AISI 321	S32100	1.4541
AISI 904(L)	AISI 904L	N08904	1.4539
Alloy 20	Alloy 20	N08020	2.4660
Alloy 400	Alloy 400	N04400	2.4360
Alloy 600	Alloy 600	N06600	2.4816
Alloy 625	Alloy 625	N06625	2.4856
Alloy 825	Alloy 825	N08825	2.4858
Alloy B2	Alloy B2	N10665	2.4617
Alloy C-22	Alloy C-22	N06022	2.4602
Alloy C-276	Alloy C-276	N10276	2.4810
Duplex F44	254 SMO (6Mo)	S31254	1.4547
Duplex F51/F60	Duplex 2205	S32205	1.4462
Duplex F53	Super Duplex 2507	S32750	1.4410
Duplex F55	Super Duplex 2507	S32750	1.4410
Nickel 201	Nickel 201	N02201	2.4068
Titanium Gr. 2	Titanium Gr. 1	R50250	2.7025
Zirconium 702	Zirconium 702	R60702	-

Flange size, rating and facings - ASME B16.5

ASME B16.5			
Size	Rating	Facing	Roughness
1" to 4"	cl. 150 - cl. 2500	RF, LMF, FF, LFF	Ra 3.2-6.3 µm
		RJF	Ra <1.6 µm
		SMF, SFF, STF, LTF, SGF, LGF	Ra <3.2 µm

Flange size, rating and facings - EN 1092-1

EN 1092-1			
Size	Rating	Type	Roughness
DN20 to DN100	PN10-400	A, B1, E, F	Ra 3.2-12.5 µm
		B2, C, D, G, H	Ra <0.8-3.2 µm

Flange size, rating and facings - ISO 10423 (API)

API ISO 10423			
Size	Rating	Facing	Roughness
1-13/16" to 3-1/16"	69 – 138 MPa	6BX – RJF	Ra <1.6 µm
2-1/16" to 3-1/8"	13.8 – 34.5 MPa	6B-RJF	Ra <1.6 µm

Flange size, rating and facings - JIS B2220

JIS B2220			
Size	Rating	Type	Roughness
DN25 to DN100	10-20K	RF	Ra 3.2-12.5 µm

Cover flanges

FSO seals are equipped with a cover flange of a different material than the seal body material. The material can be selected based on pressure/temperature rating, corrosive ambient conditions, or other influencing conditions. Examples are A350 LF2, A105, F55, AISI 321, or in combination with one of the polymer coatings.

Gold coatings

Several types of gold coating can be applied on the seals. The selection possibilities are:

- 25 µm chemical resistance (diaphragm + facing)
- 40 µm chemical resistance (diaphragm + facing)
- 25 µm Hydrogen protection (diaphragm only)
- 40 µm Hydrogen protection (diaphragm only)

-> See datasheet "Gold coatings"

Polymer coatings

Polymer coatings come in several types. The technical data on thickness and temperature limitation can be found in datasheet "polymer solutions" The applicable selection on BF seals are:

- PTFE coating
- ECTFE (Halar®) coating
- PFA coating
- FEP coating
- PTFE sheet

-> See datasheet "Polymer solutions"

Capillary tube and armor (protection)

The standard capillary mounting position is top side (axial) of the seal. The standard tube material is TP316 (316SS), optionally available in Alloy 400. There are three options in ID of the capillary; 2mm, 1mm, and 0.7mm. Badotherm capillaries are always protected against mechanical forces by armor. This doubled shielded armor consist is standard AISI 304, and optionally AISI 316. Additionally, the armor could be protected with a PVC sleeve in white, black, optionally with ATEX114 approval to protect against dust and water ingress and possibly corrosive ambient atmosphere.

-> See datasheet "Capillary lines"

Flush rings and flush flanges

Badotherm offers matching flush rings or flush flanges to their diaphragm seal. On request equipped with blind plugs, vent plug and or flushing / draining needle valves, which can be fitted or welded to the complete construction.

-> See datasheet flush rings

-> See datasheet flush flanges

-> See datasheet reducer flanges

Lifting handles

Larger sizes and ratings of diaphragm seals can weigh up to 50 kg. Handling and installation can become a challenge. As from 15kg it is recommended to apply a set of lifting handles, welded on the sides of the flange of the seal. This can be used to handle it easier and install it in a safer way or have attach lifting tools to it.

-> See datasheet "diaphragm seal accessories"

Material Certification

Material traceability and related certification are applicable for all process wetted parts. Material certification possibilities depend on the type of seal, the assembly construction and the materials used. Material certification is in accordance with EN10204 3.1.

Additional material certification and testing can be provided on request, such as Positive Material Identification (PMI), Intergranular corrosion (IGC) testing, material certification in accordance with EN10204 3.2, NACE conformity for ISO-15156 (MR-0175) and/or ISO-17945 (MR-0103), NORSOK M-630 and many more.

-> Please note that the responsibility for material selection always rests with the user.

Flange Marking & Traceability

All flanges are marked by the forging shop with heat number, material designation, size, and rating. Badotherm adds a Badotherm reference number and the manufacturers name to the flange for traceability purposes.

Flanges and origin

The seal parts are made from forged materials according to the applicable standards. The standard sourcing of flanges is of international origin. Optionally regional preference can be requested, for example materials from EU origin.

Testing

All seals are helium tested according the EN 13185 test procedure A.3 up to 10^{-9} mbar l/s before used on a diaphragm seal application.

-> See datasheet "Diaphragm Seal testing"

Cleanliness of the wetted parts

All parts are standard cleaned from excessive oil and grease. When additional requirements are needed, the parts can be cleaned according customer requirements and cleaning specifications.

Limitations

There are some limitations in mounting the FSO-BRF to pressure instruments.

- $\leq 1.5"$ (DN25) can have maximum capillary length 6 mtr
- Direct mount is always with 80mm extension tube.

Gaskets

Sizes of the diaphragm area are designed to match the gaskets used between the process and seal or flush ring. For the ASME B16.5 RF flanges the ASME B16.20 is used for dimension restriction to ensure both the spiral and grooved gaskets are fully supported by the serrated area. For the EN type B1 flanges the gasket dimensions are matching the sizes of the EN 1514-2. The size "G" in the tables refer to the start of the gasket surface.

Example performance calculation

Whether a diaphragm seal can be used for a specific measurement, depends on the size of the diaphragm. That size is restricted by the size of the diaphragm seal.

For pressure transmitters, Badotherm offers an online performance calculation tool to calculate its performance and to ensure that the diaphragm size is suitable for your measurement.

The table below presents the minimum span of the respective diaphragm sizes with standard process conditions. As rule of thumb, a TPE of max 5% is often considered acceptable, but it depends per situation.

Minimum span table

dD	AP/GP	DP
23.5mm	17.5 bar	na
32mm	11 bar	1850 mbar
44mm	1575 mbar	255 mbar
57mm	415 mbar	70 mbar
72mm	155 mbar	30 mbar
81mm	110 mbar	20 mbar

Pressure transmitter; ambient temperature -10...+30°C; process temperature 100°C with BSO 22 fill fluid; 3 meter capillary; ID 1mm, DP both sides mounted with seal

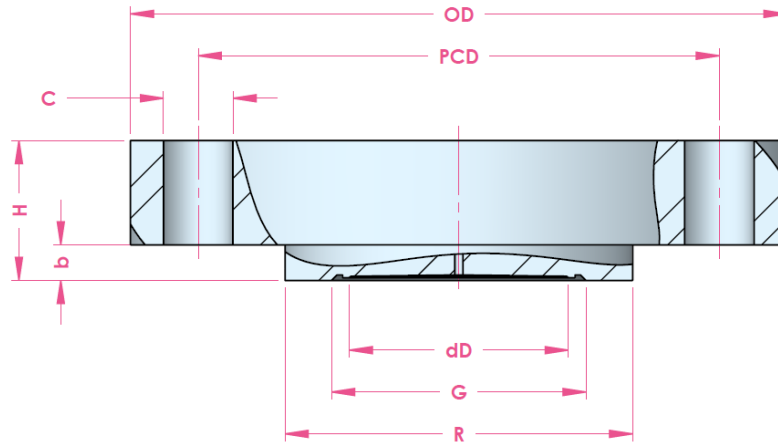
See the general overview of all diaphragm sizes with several standard situations and in combination with Badotherm pressure gauges.

Retaining screws

The cover flange and the seal part are fixed together hexagon socket cap screws. The length of the screws depends on the thickness of the cover flange.

Grade bolt	Type	Size
A2-70 (ISO 3506-1)	ISO 4762	M6

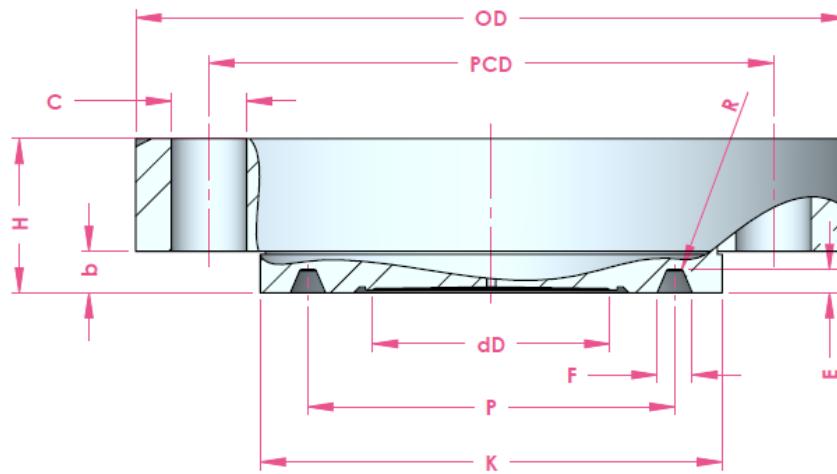
Dimensions table: ASME 16.5 RF facing



size	rating	OD	b	H	PCD	C / pcs	dD	R	f	G	weight
1"	cl. 150	110.0	18.0	32.7	79.4	15.9 / 4x	23.0	50.8	2.0	31.8	1.2
	cl. 300	125.0		35.9	88.9	19.1 / 4x					1.7
	cl. 400-600			42.5	101.6	25.4 / 4x			1.9		
	cl. 900-1500	150.0		53.6	108.0	19.1 / 4x			7.0		3.9
1.25"	cl. 150	115.0	18.0	35.9	88.9	15.9 / 4x	32.0	63.5	2.0	41.5	1.7
	cl. 300	135.0		37.5	98.4	19.1 / 4x					2.3
	cl. 400-600			45.7	111.1	25.4 / 4x			2.6		
	cl. 900-1500	160.0		53.6	130.2	28.6 / 4x			7.0		4.6
	cl. 2500	185.0		63.1	146.0	31.8 / 4x			39.8		7.9
1.5"	cl. 150	125.0	13.0	35.9	98.4	15.9 / 4x	44.0	73.0	2.0	52.4	2.1
	cl. 300	155.0		39.1	114.3	22.3 / 4x					3.3
	cl. 400-600			47.3	123.8	28.6 / 4x			3.7		
	cl. 900-1500	180.0		56.8	146.0	31.8 / 4x			7.0		6.4
	cl. 2500	205.0		69.5	171.4	31.8 / 4x			41.5		11.3
2"	cl. 150	150.0	18.0	32.5	120.7	19.1 / 4x	57.0	92.1	2.0	70.2	3.0
	cl. 300	165.0		35.7	127.0	19.1 / 8x					3.9
	cl. 400-600			45.4	165.1	25.4 / 8x			4.6		
	cl. 900-1500	215.0		58.1	171.4	28.6 / 8x			10.6		
	cl. 2500	235.0		70.9	203.2	31.9 / 8x			55.4		16.3
3"	cl. 150	190.0	13.0	37.3	152.4	19.1 / 4x	81.0	127.0	2.0	93.0	6.2
	cl. 300	210.0		42.0	168.3	22.4 / 8x					8.2
	cl. 400-600			51.8	190.5	25.5 / 8x			9.4		
	cl. 900	240.0		58.1	203.2	31.9 / 8x			13.9		
	cl. 1500	265.0		67.7	228.6	35.0 / 8x			20.0		
	cl. 2500	305.0		86.7	273.0	41.4 / 8x			36.3		
	cl. 150	230.0		37.3	190.5	19.2 / 8x			81.0		157.2
cl. 300	255.0	45.2	200.0	22.4 / 8x	13.6						
cl. 400		55.0	215.9	25.5 / 8x	15.2						
cl. 600	275.0	58.1	235.0	31.9 / 8x	19.0						
cl. 900	290.0	64.5	241.3	35.0 / 8x	23.3						
cl. 1500	310.0	74.0	273.0	41.4 / 8x	31.4						
cl. 2500	355.0	96.2			56.0						

All dimensions in mm, weight in kg

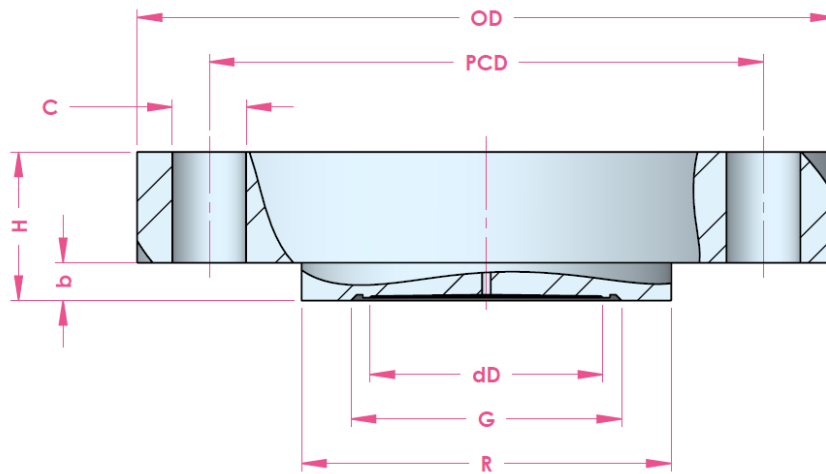
Dimensions table: ASME 16.5 RJF facing



size	rating	OD	b	H	PCD	Cb/pcs	dD	K	E	F	P	R	Ring #	Weight
1"	cl. 150	110.0	18.0	32.7	79.4	15.9 / 4x	32.0	63.5	6.35	8.74	47.63	0.8	15	1.3
	cl. 300	125.0		35.9	88.9	19.1 / 4x		70.0			50.80		16	2.0
	cl. 400-600	150.0		42.5	88.9	25.4 / 4x		71.5			60.33		18	4.2
	cl. 900-1500	160.0		60.0	108.0	25.4 / 4x		82.5			60.33		18	5.9
1.25"	cl. 150	115.0	18.0	35.9	88.9	15.9 / 4x	44.0	73.0	7.92	11.91	57.15	0.8	17	1.8
	cl. 300	135.0		37.5	98.4	19.1 / 4x		79.5			60.33		18	2.6
	cl. 400-600	135.0		45.7	98.4	25.4 / 4x		81.0			72.23		21	4.9
	cl. 900-1500	160.0		53.6	111.1	25.4 / 4x		102.0			72.23		21	8.6
1.5"	cl. 2500	185.0	18.0	63.1	130.2	28.6 / 4x	44.0	102.0	7.92	11.91	72.23	0.8	21	8.6
	cl. 150	125.0		35.9	98.4	15.9 / 4x		82.5			65.07		19	2.2
	cl. 300	155.0		39.1	114.3	22.3 / 4x		90.5			68.27		20	3.6
	cl. 400-600	155.0		47.3	114.3	28.6 / 4x		92.0			68.27		20	4.0
2"	cl. 900-1500	180.0	13.0	56.8	123.8	28.6 / 4x	57.0	92.0	7.92	11.91	114.0	0.8	23	6.8
	cl. 2500	205.0		69.5	146.0	31.8 / 4x		114.0			114.30		23	12.1
	cl. 150	150.0		32.5	120.7	19.1 / 8x		102.0			82.55		22	3.2
	cl. 300	165.0		35.7	127.0	19.1 / 8x		108.0			82.55		23	4.1
3"	cl. 400-600	165.0	13.0	45.4	127.0	19.1 / 8x	81.0	108.0	7.92	11.91	95.25	0.8	24	4.8
	cl. 900-1500	215.0		58.1	165.1	25.4 / 8x		124.0			101.60		24	11.1
	cl. 2500	235.0		70.9	171.4	28.6 / 8x		133.0			114.30		26	17.1
	cl. 150	190.0		37.3	152.4	19.1 / 4x		133.0			114.30		29	6.3
4"	cl. 300	210.0	13.0	42.0	168.3	22.3 / 8x	81.0	146.0	7.92	11.91	123.83	0.8	31	8.6
	cl. 400-600	210.0		51.8	168.3	22.3 / 8x		146.0			123.83		31	9.8
	cl. 900	240.0		58.1	190.5	25.4 / 8x		156.0			136.53		35	14.6
	cl. 1500	265.0		67.7	203.2	31.8 / 8x		168.0			136.53		35	21.0
4"	cl. 2500	305.0	13.0	86.7	228.6	34.9 / 8x	81.0	168.0	9.53	13.49	127.00	0.8	32	37.3
	cl. 150	230.0		37.3	190.5	19.1 / 8x		171.0			149.23		36	9.4
	cl. 300	255.0		45.2	200.0	22.3 / 8x		175.0			149.23		37	14.1
	cl. 400	275.0		55.0	200.0	25.4 / 8x		175.0			149.23		37	15.7
	cl. 600	290.0		58.1	215.9	25.4 / 8x		181.0			149.23		37	19.4
	cl. 900	290.0		64.5	235.0	31.8 / 8x		181.0			149.23		37	24.0
4"	cl. 1500	310.0	13.0	74.0	241.3	34.9 / 8x	81.0	194.0	11.13	16.66	161.93	0.8	39	32.5
	cl. 2500	355.0		96.2	273.0	41.3 / 8x		203.0			157.18		38	57.4

All dimensions in mm, weight in kg

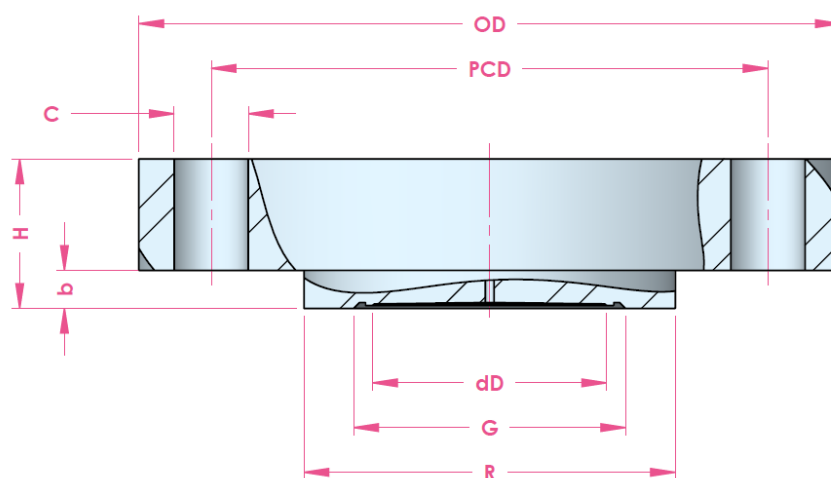
Dimensions table: EN 1092-1 B1 type



size	rating	OD	b	H	PCD	C / pcs	dD	R	G	Weight
DN20	PN10-40	105.0	18.0	36.0	75.0	14.0 / 4x	23.0	58.0	33.8	1.4
	PN63-100	130.0		40.0	90.0	18.0 / 4x				2.4
DN25	PN10-40	115.0		36.0	85.0	14.0 / 4x	32.0	68.0	41.0	1.8
	PN63-100	140.0		42.0	100.0	18.0 / 4x				3.1
	PN160			42.0						3.5
	PN250	150.0		46.0	105.0	22.0 / 4x				3.9
	PN320	160.0		52.0	115.0					5.3
	PN400	180.0		56.0	130.0	26.0 / 4x				7.3
DN32	PN10-40	140.0		36.0	100.0	18.0 / 4x	32.0	78.0	41.5	2.5
	PN63-100	155.0		42.0	110.0	22.0 / 4x				3.8
DN40	PN10-40	150.0		36.0	110.0	18.0 / 4x	44.0	88.0	55.4	2.9
	PN63-100	170.0		44.0	125.0	22.0 / 4x				4.8
	PN160			46.0						5.3
	PN250	185.0		52.0	135.0	26.0 / 4x				7.3
	PN320	195.0	56.0	145.0	8.9					
	PN400	220.0	66.0	165.0	30.0 / 4x	13.9				
DN50	PN10-40	165.0	33.0	125.0	18.0 / 4x	57.0	102.0	70.2	3.6	
	PN63	180.0	39.0	135.0	22.0 / 4x				5.3	
	PN100	195.0	41.0	145.0	26.0 / 4x				6.4	
	PN160		43.0						7.1	
	PN250	200.0	51.0	150.0	26.0 / 8x				8.7	
	PN320	210.0	55.0	160.0					10.7	
PN400	235.0	65.0	180.0	30.0 / 8x	16.1					
DN80	PN10-40	215.0	37.0	160.0	18.0 / 8x	81.0	138.0	93.0	6.6	
	PN63		41.0	170.0	22.0 / 8x				8.3	
	PN100	230.0	45.0	180.0	26.0 / 8x				10.3	
	PN160	230.0	49.0	180.0					11.2	
	PN250	255.0	59.0	200.0	30.0 / 8x				17.7	
	PN320	275.0	68.0	220.0					24.6	
PN400	305.0	81.0	240.0	33.0 / 8x	36.9					
DN100	PN10-16	220.0	33.0	180.0	18.0 / 8x	81.0	158.0	93.0	7.0	
	PN25-40	235.0	37.0	190.0	22.0 / 8x		9.0			
	PN63	250.0	43.0	200.0	26.0 / 8x		12			
	PN100	265.0	49.0	210.0	30.0 / 8x		15.4			
	PN160		53.0				17.4			
	PN250	300.0	67.0	235.0	33.0 / 8x		29			
	PN320	335.0	78.0	265.0	36.0 / 8x		42.9			
	PN400	370.0	93.0	295.0	39.0 / 8x		64			

All dimensions in mm, weight in kg

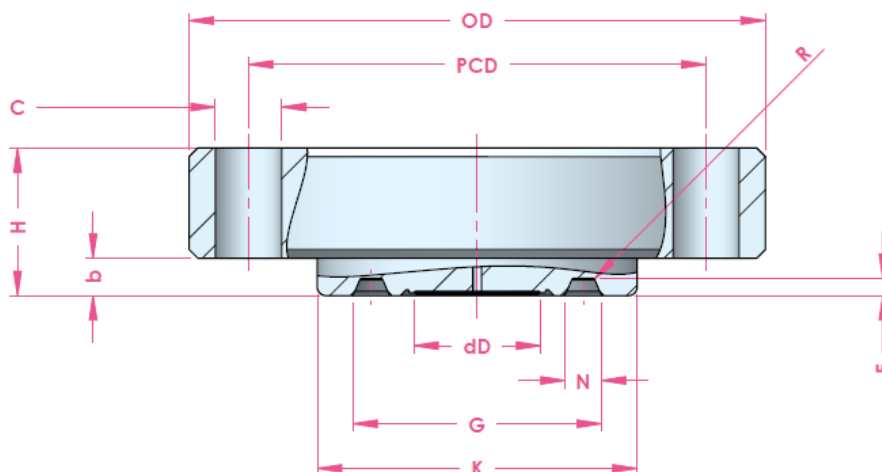
Dimensions table: JIS 2220 RF



Size	rating	OD	dD	b	H	PCD	C / pcs	R	G	Weight			
25	10K	125.0	32.0	18.0	32.0	90.0	19.0 / 4x	67.0	40.0	2.2			
	16K				32.0					2.2			
	20K				34.0					3.4			
32	10K	135.0	44.0		34.0	100.0				19.0 / 4x	76.0	50.6	2.5
	16K				34.0								2.5
	20K				36.0								3.7
40	10K	140.0	44.0		34.0	105.0	19.0 / 4x	81.0	55.4				2.7
	16K				34.0								2.7
	20K				36.0								3
50	10K	155.0	57.0		34.0	120.0				19.0 / 8x	96.0	68.5	3.2
	16K				34.0								3.2
	20K				36.0								3.5
80	10K	185.0	81.0	36.0	150.0	23.0 / 8x	126.0	93.0	5.2				
	16K	200.0		38.0	160.0				23.0 / 8x	132.0	6.5		
	20K			40.0							7		
90	10K			195.0							36.0	170.0	19.0 / 8x
	16K	210.0		38.0	23.0 / 8x				145.0	7.3			
	20K			42.0	23.0 / 8x				151.0	8.4			
100	10K			225.0	36.0	175.0	19.0 / 8x	151.0	6.9				
	16K	40.0			185.0	23.0 / 8x	160.0	9.1					
	20K	42.0						9.8					

All dimensions in mm, weight in kg.

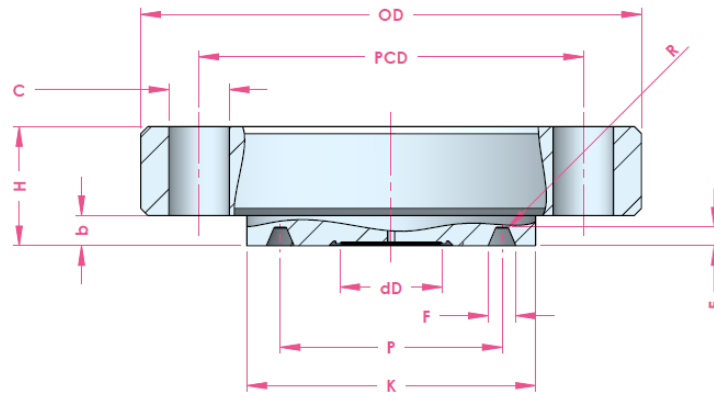
Dimensions table: API 10423 – Type 6BX



size	rating	OD	b	H	PCD	C / pcs	dD	K	E	N	G	ring	Weight
1-13/16"	69MPa	185.0	18.0	60.1	146.1	23.0 / 8x	32.0	105.0	5.6	11.8	65.9	BX-151	9.1
	103,5MPa	210.0		63.3	160.3	26.0 / 8x		106.0					12.3
	138MPa	255.0		81.5	203.2	29.0 / 8x		117.0					25.3
2-1/16"	69MPa	200.0	13.0	57.1	158.8	23.0 / 8x	44.0	111.0	5.9	12.7	73.6	BX-152	10.6
	103,5MPa	220.0		63.8	174.6	26.0 / 8x		114.0					14.8
	138MPa	285.0		84.5	230.2	32.0 / 8x		132.0					35.1
2-9/16"	69MPa	230.0	13.0	64.2	184.2	26.0 / 8x	57.0	132.0	6.8	14.1	88.7	BX-153	16.3
	103,5MPa	255.0		70.2	200.0	29.0 / 8x		133.0					22.2
	138MPa	325.0		92.4	261.9	35.0 / 8x		151.0					50.3
3-1/16"	69MPa	270.0	13.0	71.4	215.9	29.0 / 8x	72.0	152.0	7.5	15.4	103.6	BX-154	25.3
	103,5MPa	290.0		77.3	230.2	32.0 / 8x		154.0					32.1
	138MPa	355.0		98.8	287.3	39.0 / 8x		171.0					64.7

All dimensions in mm, weight in kg

Dimensions table: API 6A 10423 – Type 6B



size	rating	OD	b	H	PCD	C / pcs	dD	K	E	F	P	ring	Weight		
2-1/16"	13.8MPa	165.0	13.0	46.4	127.0	20.0 / 8x	44.0	108.0	7.9	11.9	82.6	R or RX-23	5.3		
	20.7MPa	215.0		59.1	165.1	23.0 / 8x		124.0			95.2	R or RX-24	12.4		
	34.5MPa			59.1				127.0			101.6	R or RX-26	7.8		
2-9/16"	13.8MPa	190.0		49.6	149.2	29.0 / 8x	72.0	127.0			7.9	11.9	101.6	R or RX-26	7.8
	20.7MPa	245.0		62.3	190.5	23.0 / 8x		137.0					107.9	R or RX-27	17.2
	34.5MPa			62.3				190.5					26.0 / 8x	107.9	R or RX-27
3-1/8"	13.8MPa	210.0	52.7	168.3	32.0 / 8x	81.0	146.0	7.9	11.9	123.8			R or RX-31	10.6	
	20.7Mpa	240.0	59.1	190.5	20.0 / 8x		156.0			123.8				15.8	
	34.5MPa		68.6				203.2			26.0 / 8x				168.0	136.5

All dimensions in mm

Change log

Date	Change
30-3-2020	1.5" cl 2500 dimension "P" in RJF changed.
7-5-2020	Removed cap side (Radial) from capillary paragraph

Holland – Romania – India – Thailand – Dubai – USA

To our knowledge, the information contained herein is accurate as of the date of this document. However neither Badotherm, nor its affiliates makes any warranty, express or limited, or accepts any liability in connection with this information or its use. This information is for technical skilled persons at their own discretion and risk and does not relate to the use of this product in combination with any other product. The user alone finally determines suitability of any information or material in contemplated use, the manner of use and whether any patents are infringed. This information gives typical properties only. Badotherm reserves the right to make changes to the specifications any materials without prior notice. The latest version of the datasheet can be found on www.badotherm.com.

© 2015 Badotherm, all rights reserved. Trademarks and/or other products referenced herein are either trademarks or registered trademarks of Badotherm.

DSS 7006
7th of May 2020