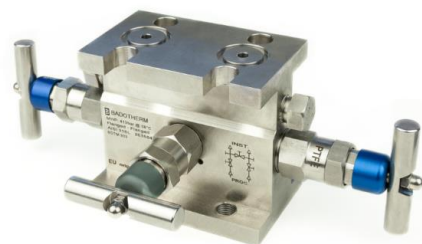


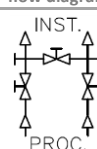
Badotherm manifold model BDTM933 is a three valve manifold that can be used for isolation, bleeding, calibration, and testing of differential pressure instruments. The BDTM933 manifold has a flanged process connection and a flanged instrument connection. All Badotherm manifolds are standard stainless steel and optional available in exotic materials, such as Hastelloy and Monel. This valve has a non-rotatable conical tip to ensure perfect alignment for a bubble tight shut-off.



MATERIAL SPECIFICATIONS

BODY	STEM	TIP	BONNET	SPINDLE GASKET
AISI 316(L)	AISI 316(L)	AISI 316(L)	AISI 316(L)	Virgin PTFE

TECHNICAL SPECIFICATIONS

	BDTM933	flow diagram	product features
Process connection (F)	flanged - IEC 61518		non-rotating spindle tip
Instrument connection (F1)	flanged - IEC 61518		bonnet locking pins
Purge connection	1/4" NPT-f		safety back seating T-bar
Maximum pressure	413 bar (6.000 psi) at 38°C		2x isolation valves (blue)
Maximum temperature	240 °C		equalizing valve (green)

EXOTIC STEM AND TIP CONFIGURATIONS WITH BODY MATERIALS

stem	tip	body material								
		AISI 316(L)	AISI 321	Monel 400	Hastelloy C276	Duplex F51	Super Duplex F53	Super Duplex F55	Inconel 625	Titanium Gr. 2
AISI 630	AISI 420	○								
AISI 316(L)	AISI 316(L)	●								
AISI 321	AISI 321		●							
Monel 400	Monel 500	○		●						
Hastelloy C276	Hastelloy C276				●					
Duplex F51	Duplex F51					●				
Super Duplex F53	Super Duplex F53						●			
Super Duplex F55	Super Duplex F55							●		
Inconel 625	Inconel 625								●	
Titanium Gr. 2	Titanium Gr. 2									●
Stellite 6B	Stellite 6B	○	○	○	○	○	○	○	○	○

● = standard / ○ = optional

SPINDLE GASKET

material	operating temperature
Virgin PTFE	-200 / +260°C
Flexible Graphite	-250 / +450°C

OPTIONS

- cleaning for oxygen service (only with Virgin PTFE spindle gasket)
- high pressure up to 689 bar (10.000 psi) at 38°C
- anti-tamper spindle to prevent unauthorized use
- assembly kit including bolts, gaskets and anti-seizure compound

DESIGN INFORMATION AND DRAWINGS

DESIGN STANDARD

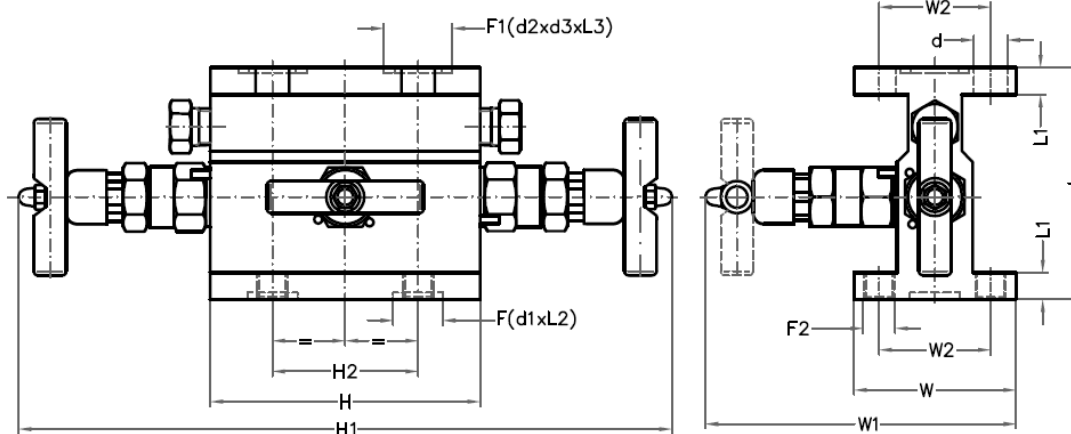
EN 12266-1 / SP 99 / SP 61
IEC 61518

PRESSURE TESTING

1.5x MWP @ 20°C for shell test
1.1x MWP @ 20°C for seat test

WEIGHT

2.9 kg



F2	L	L1	H	H1 min	H1 max	H2	W	W1 min	W1 max	W2	d	d1xL2	d2xd3xL3
7/16" UNF	86	10	98	232	240	54	60	111	115	41,3	Ø12,5	Ø18,5x2,5	Ø25,5xØ19,9x2

All dimensions in mm

PRESSURE TEMPERATURE TABLE

temperature °C	AISI 316(L)	Monel 400	Hastelloy C276	Duplex F51	Super Duplex F53 / F55	Inconel 625
-29 / -17 °C ¹	413	335	431	431	431	431
-17 / +38 °C	413	335	431	431	431	431
50 °C	401	299	431	431	431	431
100 °C	351	281	429	422	422	429
150 °C	321	272	418	382	383	418
200 °C	297	272	403	355	355	403
250 °C ¹	278	272	386	337	337	386
300 °C ¹	263	272	357	323	324	357
350 °C ¹	253	272	335	-	-	335
400 °C ¹	245	267	305	-	-	305
450 °C ¹	240	224	282	-	-	282

All pressures in Bar

¹ Only applicable in combination with Flexible Graphite gasket



Holland – UK – Romania – India – Thailand – Dubai – USA

To our knowledge, the information contained herein is accurate as of the date of this document. However neither Badotherm, nor its affiliates makes any warranty, express or limited, or accepts any liability in connection with this information or its use. This information is for technical skilled persons at their own discretion and risk and does not relate to the use of this product in combination with any other product. The user alone finally determines suitability of any information or material in contemplated use, the manner of use and whether any patents are infringed. This information gives typical properties only.

Badotherm reserves the right to make changes to the specifications and materials without prior notice. The latest version of the datasheet can be found on www.badotherm.com.

© 2001 Badotherm, all rights reserved. Trademarks and/or other products referenced herein are either trademarks or registered trademarks of Badotherm. Registered trade names are Hastelloy, Inconel, Monel, and Stellite.

modified 25-01-2017